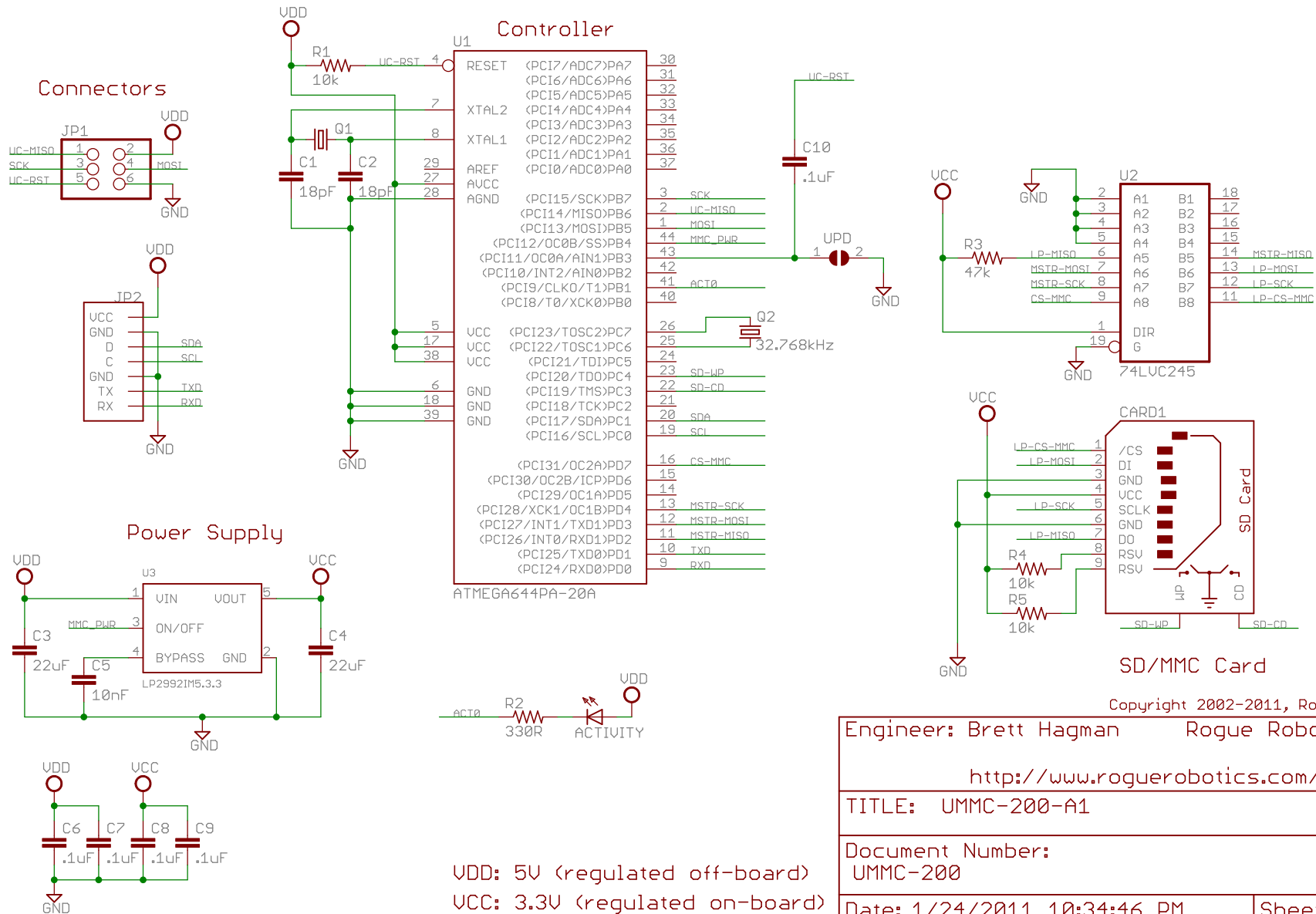


uMMC Data Module



Copyright 2002-2011, Rogue Robotics

Engineer: Brett Hagman Rogue Robotics Inc.

<http://www.roguerobotics.com/>

TITLE: UMMC-200-A1

Document Number:
UMMC-200

REV:
A1

Date: 1/24/2011 10:34:46 PM

Sheet: 1/1

UDD: 5V (regulated off-board)
UCC: 3.3V (regulated on-board)